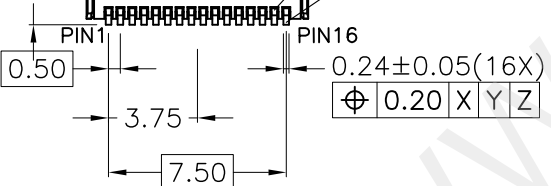
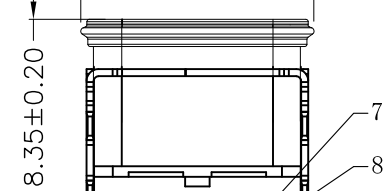
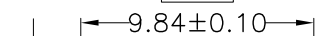
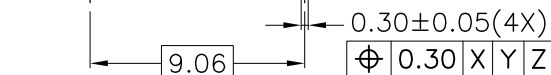


0.10 (16PIN SMT)



⑧	1	下端子	铜合金C7025 TM03	镀金30"
⑦	1	上端子	铜合金C7025 TM03	镀金30"
⑥	1	I/M	PA46	黑色
⑤	1	中隔片	不锈钢SUS301	水洗
④	1	EMI	不锈钢SUS304	水洗
③	1	内铁壳	不锈钢SUS316	水洗
②	1	密封圈	液态硅胶成型	黑色 NJSILT.MNJ-1005-50A/B
①	1	外铁壳	不锈钢304	镀镍50U"
⑨	1	胶水	黑色环氧胶	
序号	数量	零件名称	材料	镀层



深圳市华宇创精密电子有限公司

TOLERANCE:

X.X ±0.30
X.XX ±0.25
X.XXX ±0.15

X' ±2' X.X' ±0.5'

UNIT: mm [inch]

SCALE:1:1 SIZE: A4

DRAWN BY :

陈一鸣

DATE :

2014-02-23

PART NAME:

USB TYPE C 防水母座16P 板上垫高CH5.9mm 带防水胶圈

CHECKED BY:

马跃

DATE :

2014-02-23

PART NO.

HVC605-USBC16-590

APPROVED BY:

邱敏

DATE :

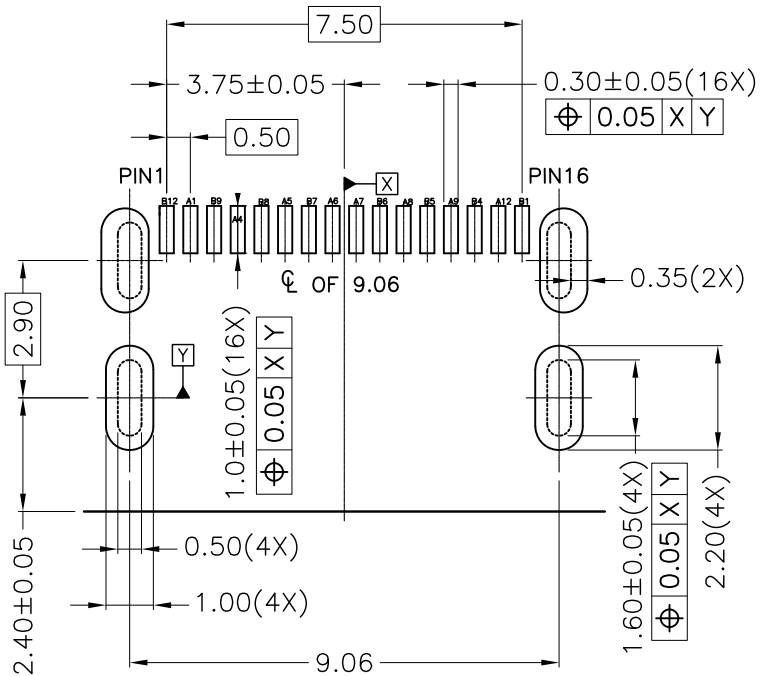
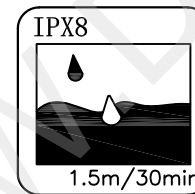
2014-02-23

DRAW NO:

HVC-2412021047

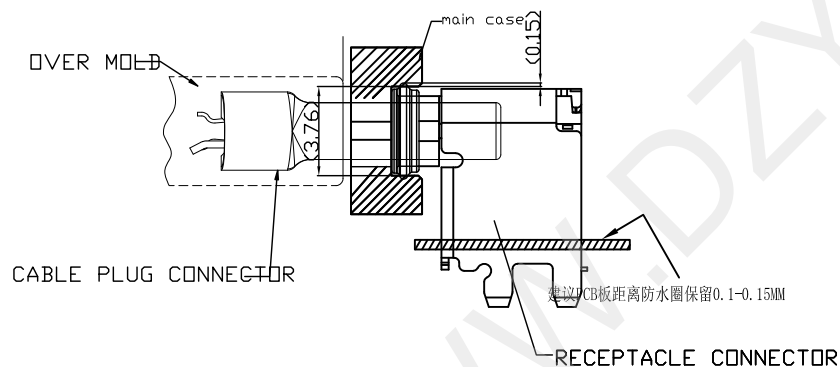
SHEET NO.

1 OF 1



RECOMMENDED PCB LAYOUT(TOP VIEW)

PCB THICKNESS 1.72±0.05MM



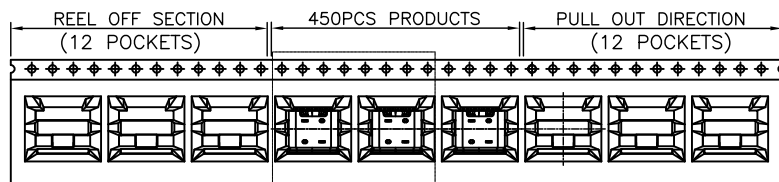
Notes:

1. ELECTRICAL characteristics:
 - 1-1. Dielectric withstandance: 500V AC/1minute.
 - 1-2. Current rating:
 - Vbus and GND contact: ≥1.25A/pin, Paralleled for a total of 5A Min
 - Other contacts: ≥0.25A/pin
 - 1-3. Initial LLCR 40mΩ max, after test Δ10mΩ max:
 - 40mΩ MAX. FOR VBUS, GND AND OTHE CONTACTS,
 - 50mΩ MAX. FINAL AFTER TEST.
 - 1-4. Insulation Resistance: 1000MΩ Min
- 2: Mechanical characteristics
 - 2-1 Insert force: 5~20N MAX.
 - Withdraw force: 8~20N, after test: 6~20N
 - 2-2 Durability: 10000 cycles min
 - 2-3 Laser point: Height < 0.05mm, Pulling force > 50N
- 3: Environment characteristics
 - 3-1 Operating temperature: -40~+85°C
 - 3-2 Salty spray: 48hours (EIA-364-26B-B)
 - 4. Burr: 0.05MM MAX.
 - 5. Tape and reel packing satisfy EIA-364-481 standard

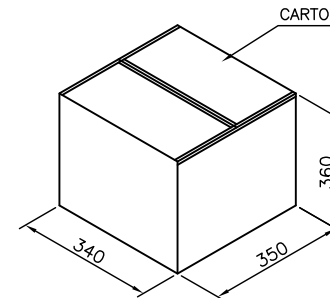
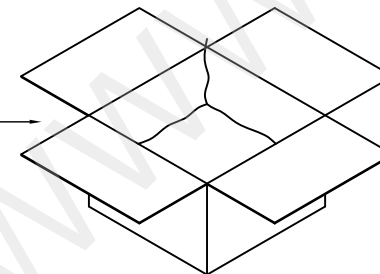
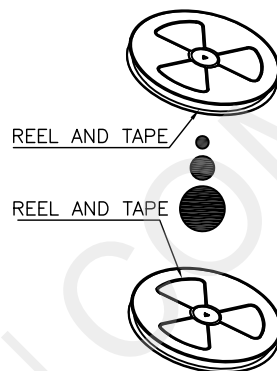
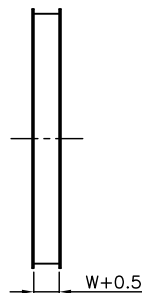
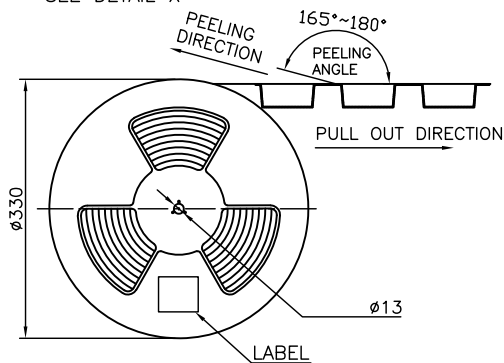
Pin	Signal	Description	Mating Sequence	Description	Signal	Pin
2	A1	GND	First	Ground return	GND	B12
/	A2	TX1+	Second	/	RX1+	B11
/	A3	TX1-	Second	/	RX1-	B10
4	A4	VBUS	First	Bus Power	VBUS	B9
6	A5	CC1	Second	Configuration Channel	SBU2	B8
8	A6	Positive half of the USB 2.0 differential pair-Position 1	Second	Negative half of the USB 2.0 differential pair-Position 2	D-	B7
9	A7	Negative half of the USB 2.0 differential pair-Position 1	Second	Positive half of the USB 2.0 differential pair-Position 2	D+	B6
11	A8	SBU1	Second	Configuration Channel	CC2	B5
13	A9	VBUS	First	Bus Power	VBUS	B4
/	A10	RX2-	Second	/	TX2-	B3
/	A11	RX2+	Second	/	TX2+	B2
15	A12	GND	First	Ground return	GND	B1

深圳市华宇创精密电子有限公司

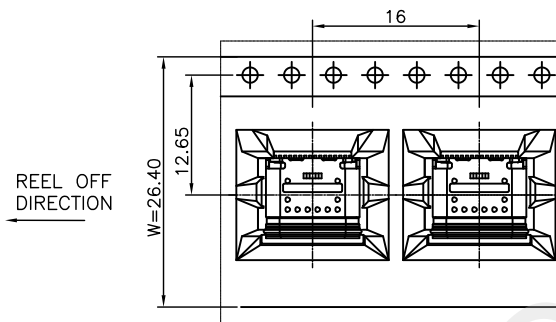
TOLERANCE: X.X ±0.30 X.XX ±0.25 X.XXX ±0.15 X.' ±2' X.X' ±0.5'	DRAWN BY : 陈一鸣	DATE : 2014-02-23	PART NAME: USB TYPE C 防水母座16P 板上垫高CH5.9mm 带防水胶圈
	CHECKED BY: 马跃	DATE : 2014-02-23	PART NO. HVC605-USBC16-590
UNIT: mm [inch] SCALE:1:1 SIZE: A4	APPROVED BY: 邱敏	DATE : 2014-02-23	DRAW NO: HVC-2412021047
			SHEET NO. 1 OF 1



SEE DETAIL X

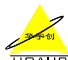


1. 每盘450PCS/ 每箱11盘4950PCS
2. 每盘真空包装并附干燥剂2PCS



DETAIL X
SCALE 2:1

	REEL	CARTON
CONNECTOR (PCS)	450	4950

 深圳市华宇创精密电子有限公司

TOLERANCE: X.X ±0.30 X.XX ±0.25 X.XXX ±0.15 X' ±2' X.X' ±0.5'	DRAWN BY : 陈一鸣	DATE : 2014-02-23	PART NAME: 包装图	
	CHECKED BY: 马跃	DATE : 2014-02-23	PART NO.	
UNIT: mm [inch] SCALE:1:1 SIZE: A4	APPROVED BY: 邱敏	DATE : 2014-02-23	DRAW NO:	
			SHEET NO.	1 OF 1